

# Lecture (10)

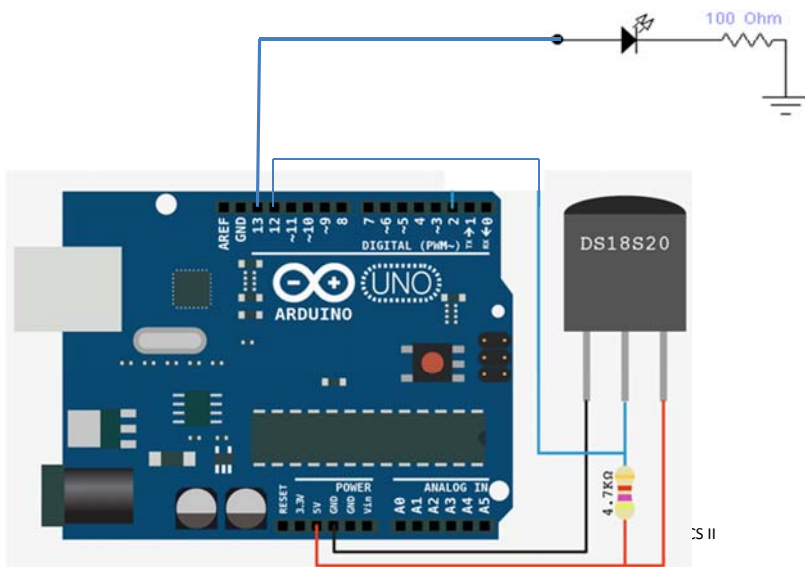
## Practical Applications on Arduino Uno Board - 4

Dr. Ahmed ElShafee

## Agenda

- \*
- \*
- \*

## TemperatureControlledDevice



## TemperatureControlledDevice

```
#include <OneWire.h>
#include <DallasTemperature.h>
#define ONE_WIRE_BUS 12
#define Alarm 13
OneWire
oneWire(ONE_WIRE_BUS);
DallasTemperature
sensors(&oneWire);

void loop(void)
{
  sensors.requestTemperatures(); if
  (sensors.getTempCByIndex(0)>25)
    digitalWrite(Alarm,HIGH);
  else
    digitalWrite(Alarm,LOW);
}

void setup(void)
{
  pinMode(Alarm,OUTPUT);
  sensors.begin();
}
```

# MelodyPlayer

The calculation of the tones is made following the mathematical operation:

$$\text{timeHigh} = \text{period} / 2 = 1 / (2 * \text{toneFrequency})$$

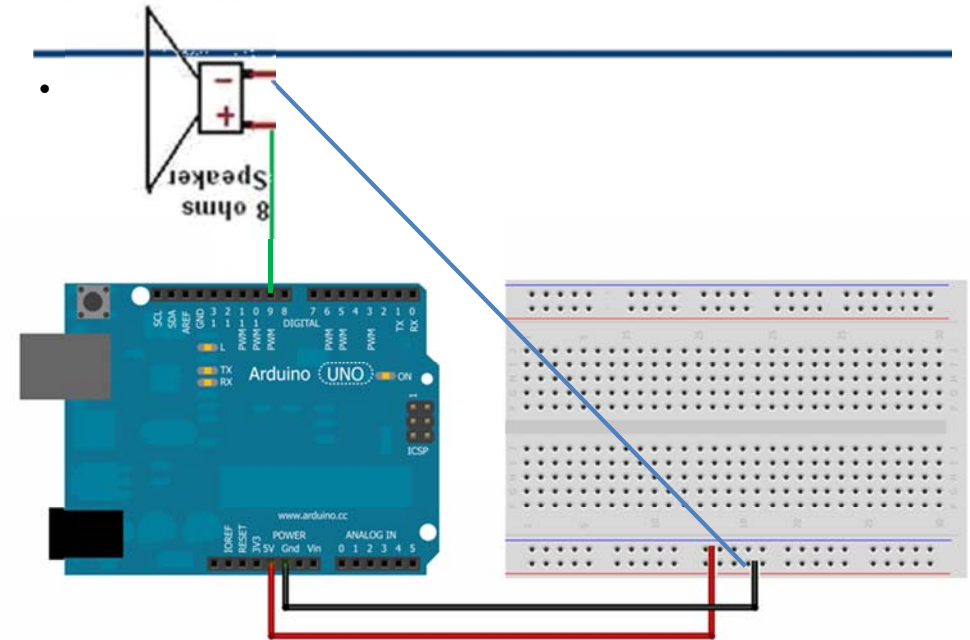
where the different tones are described as in the table:

note	frequency	period	timeHigh
c	261 Hz	3830	1915
d	294 Hz	3400	1700
e	329 Hz	3038	1519
f	349 Hz	2864	1432
g	392 Hz	2550	1275
a	440 Hz	2272	1136
b	493 Hz	2028	1014
C	523 Hz	1912	956

uSec      uSec

Dr. Ahmed ElShafee, ACU Spring 2013, Practical App. CS II

# Schematic



```
int speakerPin = 9;
int length = 15; // the number of
notes
char notes[] = "ccggaagffeeddc "; // a
space represents a rest
int beats[] = { 1, 1, 1, 1, 1, 1, 2, 1, 1,
1, 1, 1, 1, 2, 4 };
int tempo = 300;
void playTone(int tone, int duration) {
for (long i = 0; i < duration * 1000L; i
+= tone * 2)
//counter 0 --> 300 000, step= tone
width uSec, half is high, half is low
{
digitalWrite(speakerPin, HIGH);
delayMicroseconds(tone);
digitalWrite(speakerPin, LOW);
delayMicroseconds(tone);
}}

```

Dr. Ahmed ElShafee, ACU Spring 2013, Practical App. CS II

```
void playNote(char note, int duration) {
char names[] = { 'c', 'd', 'e', 'f', 'g', 'a',
'b', 'C' };
int tones[] = { 1915, 1700, 1519,
1432, 1275, 1136, 1014, 956 }; //uSec

// play the tone corresponding to the
note name
for (int i = 0; i < 8; i++) {
if (names[i] == note) {
playTone(tones[i], duration);
}
}
}
}

```

```
void setup() {
pinMode(speakerPin, OUTPUT);
}

void loop() {
for (int i = 0; i < length; i++) {
if (notes[i] == ' ') {
delay(beats[i] * tempo); // rest
} else {
playNote(notes[i], beats[i] * tempo);
}

// pause between notes
delay(tempo / 2);
}
}

```

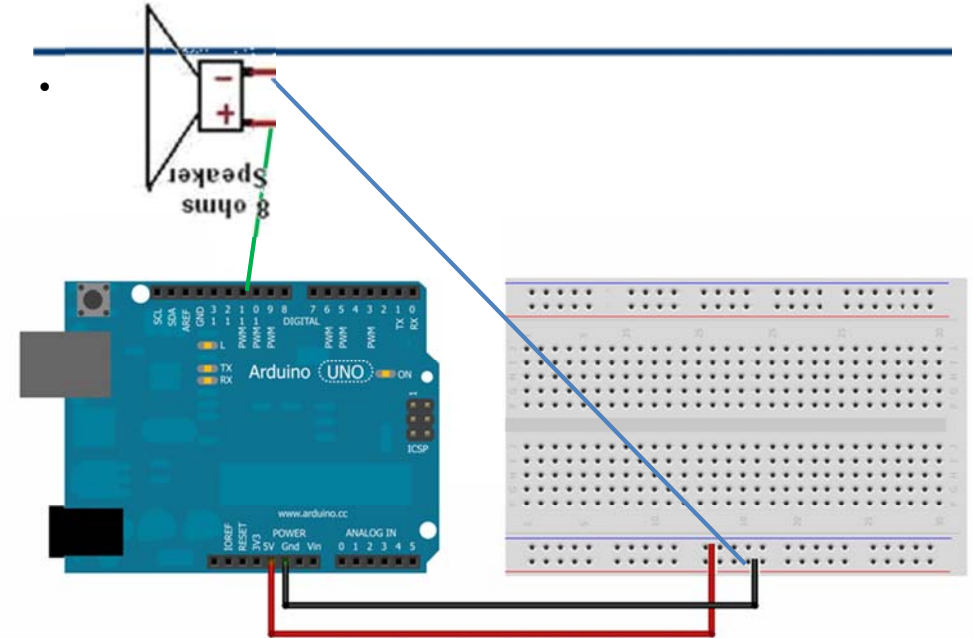
Dr. Ahmed ElShafee, ACU Spring 2013, Practical App. CS II

# PlaySound

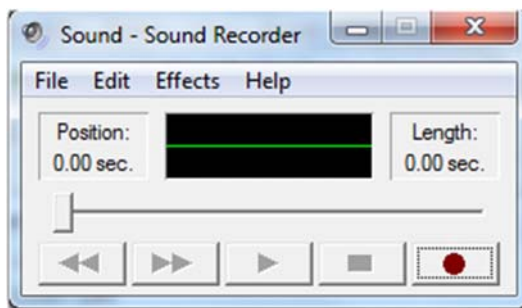
## Steps

1. Record a wave file (8kHz sampling rate, 8 bits/sample) 3 seconds
2. Convert file to array

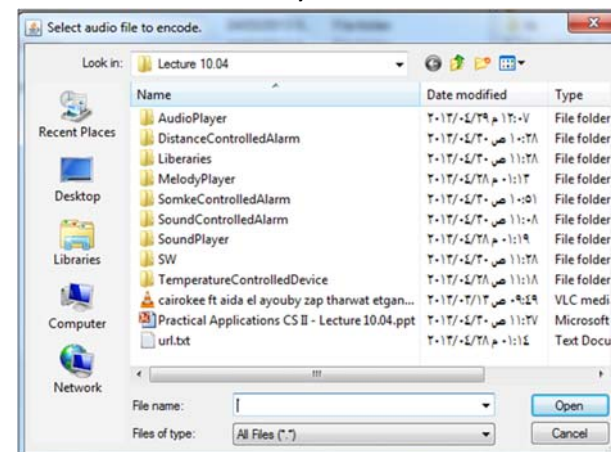
# Schematic



## 1. record



## 2. Convert file to array



```

#include <PCM.h>
const unsigned char sample[] PROGMEM=
//{126, 127,
128,128,128,128,128,127,128,128,128,129};
void setup(){
}

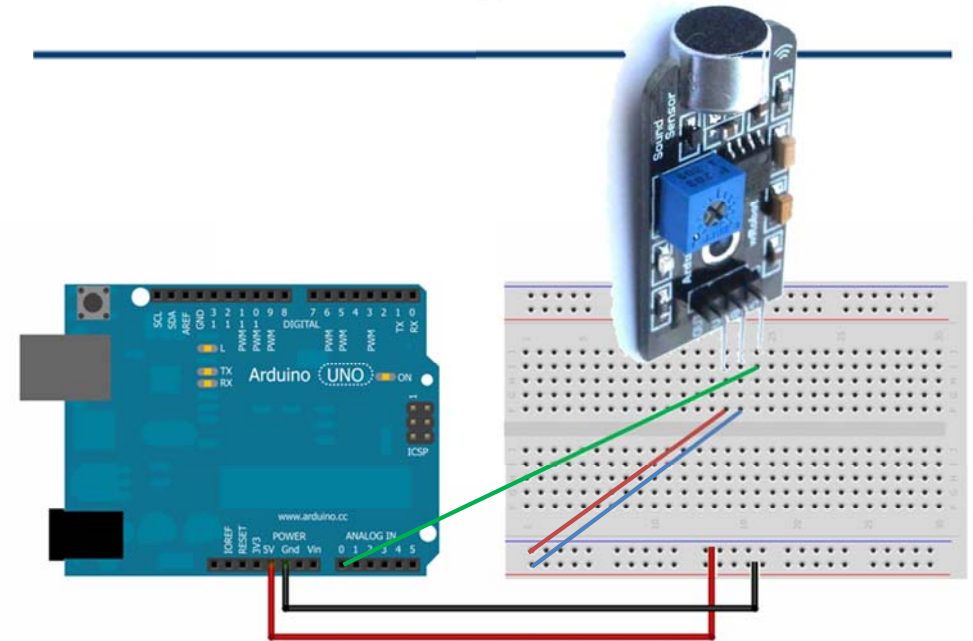
void loop(){
startPlayback(sample,sizeof(sample));
delay (5000);
}

```

13

Dr. Ahmed ElShafee, ACU Spring 2013, Practical App. CS II

## SoundControlledAlarm



```

#define Alarm 13
#define A0 soundSensor
int val;
int counter=0;
void setup() {
pinMode(Alarm,OUTPUT);
}

void loop() {
delay(10);
val=analogRead(soundSensor);
// level <60 silent

if(val>60)
{
digitalWrite(Alarm,HIGH);
counter=100;
}
}

```

```

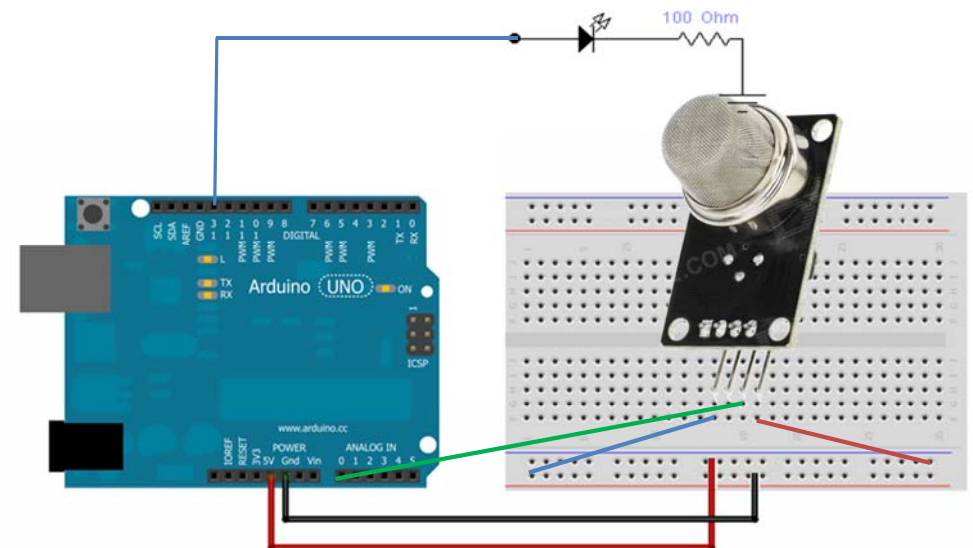
else
{
if(counter>0)
counter--;
if(counter==0)
digitalWrite(Alarm,LOW);
}
}

```

10

Dr. Ahmed ElShafee, ACU Spring 2013, Practical App. CS II

## SmokeControlledaAlarm



```

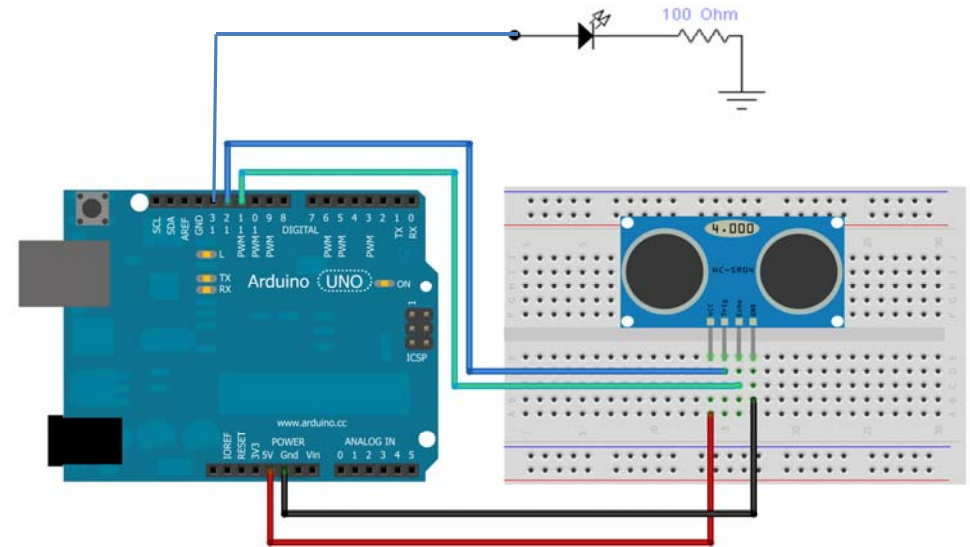
#define Alarm 13
#define A0 smokeSensor
int val;

void setup() {
  pinMode(Alarm,OUTPUT);
}

void loop() {
  delay(1000);
  val=analogRead(smokeSensor);
  //smoke val>550
  if(val>550)
    digitalWrite(Alarm,HIGH);
  else
    digitalWrite(Alarm,LOW);
}

```

## DistanceControlledAlarm



```

#include <NewPing.h>
#define TRIGGER_PIN 12 // Arduino pin tied to trigger pin on the ultrasonic sensor.
#define ECHO_PIN 11 // Arduino pin tied to echo pin on the ultrasonic sensor.
#define MAX_DISTANCE 500// Maximum distance we want to ping for (in centimeters). Maximum sensor distance is rated at 400-500cm.
#define Alarm 13

```

```

NewPing sonar(TRIGGER_PIN, ECHO_PIN, MAX_DISTANCE); // NewPing setup of pins and maximum distance.

```

```

void setup() {
  pinMode(Alarm,OUTPUT);
}

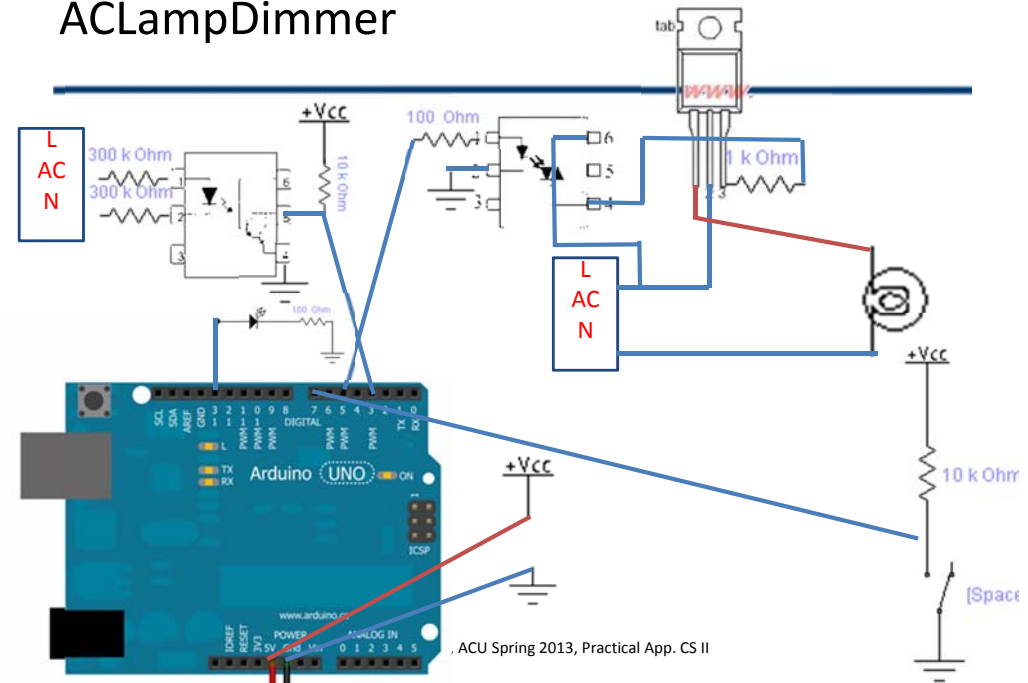
```

```

void loop() {
  delay(1000);
  unsigned int uS = sonar.ping(); // Send ping, get ping time in microseconds (uS).
  if(uS<500) //50cm
    digitalWrite(Alarm,HIGH);
  else
    digitalWrite(Alarm,LOW);
}

```

## ACLampDimmer





```

#define AC_LOAD 5
int dimming = 128;
#define LED 13
#define BUTTON 7
int LED_status=0;
int count=0;
int Button_status=0;
void setup()
{
pinMode(AC_LOAD, OUTPUT);
attachInterrupt(1, zero_crosss_int,
RISING);
pinMode(LED, OUTPUT);
pinMode(BUTTON,INPUT);
//pin 3 interrupt 1
//pin 2 interrupt 0
}

void loop() {
for (int i=5; i <= 128; i++)
{
dimming=i;
Button_status=digitalRead(BUTTON);

```

```

if(Button_status==LOW)
{
digitalWrite(LED,HIGH);
digitalWrite(AC_LOAD,HIGH);
}
delay(100);
}

}

void zero_crosss_int() // function to be
fired at the zero crossing to dim the
light
{
// Firing angle calculation : 1 full 50Hz
wave =1/50=20ms // Every
zerocrossing thus: (50Hz)-> 10ms
(1/2 Cycle) For 60Hz => 8.33ms //
10ms=10000us
// (10000us - 10us) / 128 = 75
(Approx) For 60Hz =>65
int dimtime = (75*dimming); // For
60Hz =>65

```

```

delayMicroseconds(dimtime); // Off cycle
digitalWrite(AC_LOAD, HIGH); // triac firing
delayMicroseconds(10); // triac On
propogation delay (for 60Hz use 8.33)
digitalWrite(AC_LOAD, LOW); // triac Off
count++;
if(count==50)
{
count=0;
if(LED_status==LOW)LED_status=HIGH;
else LED_status=LOW;
digitalWrite(LED,LED_status);
}
}

```

---

Thanks,  
See you next Week, isA