

Lecture (10)

Practical Applications on Arduino Uno Board - 5

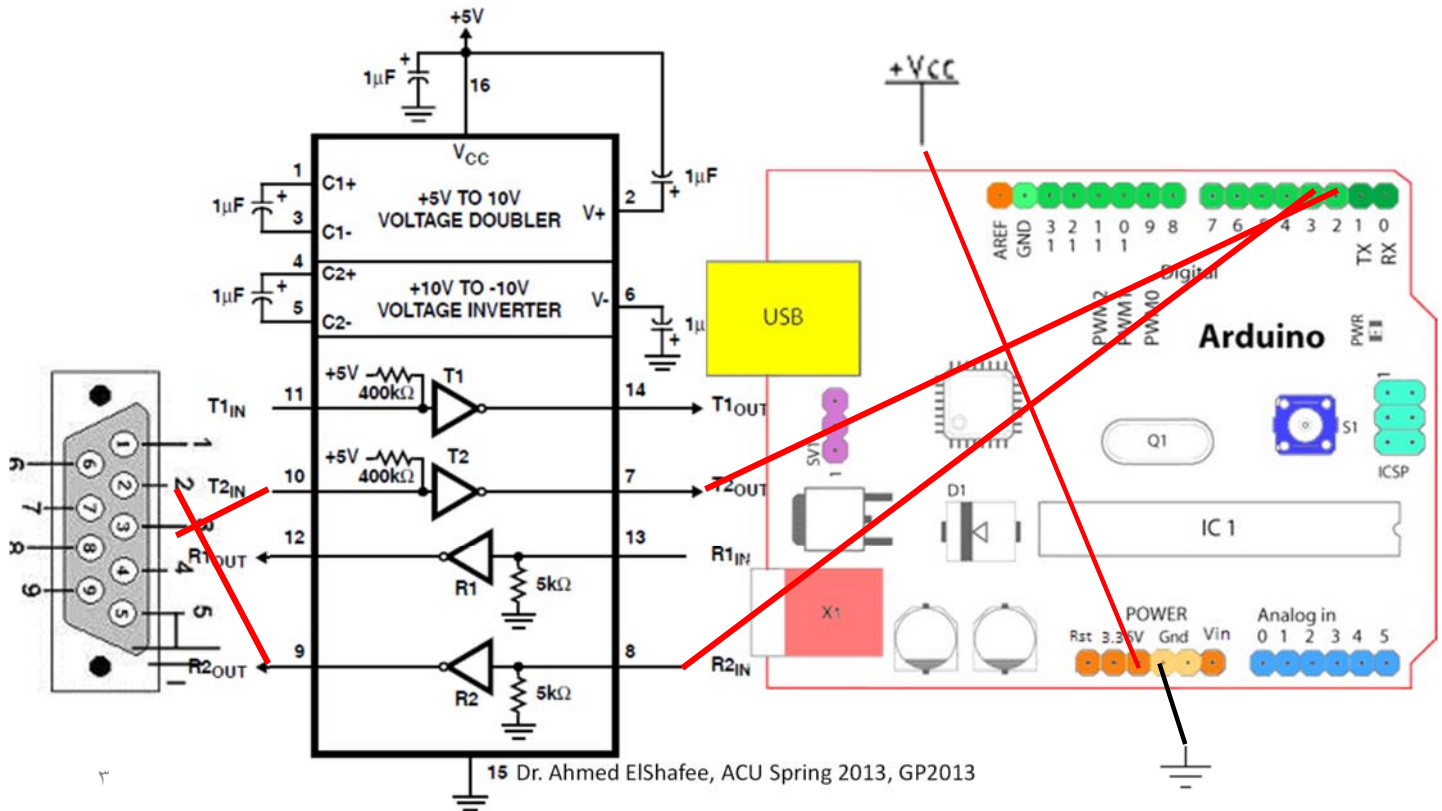
Dr. Ahmed ElShafee

Dr. Ahmed ElShafee, ACU Spring 2013, Practical App. CS II

Agenda

- *
- *
- *

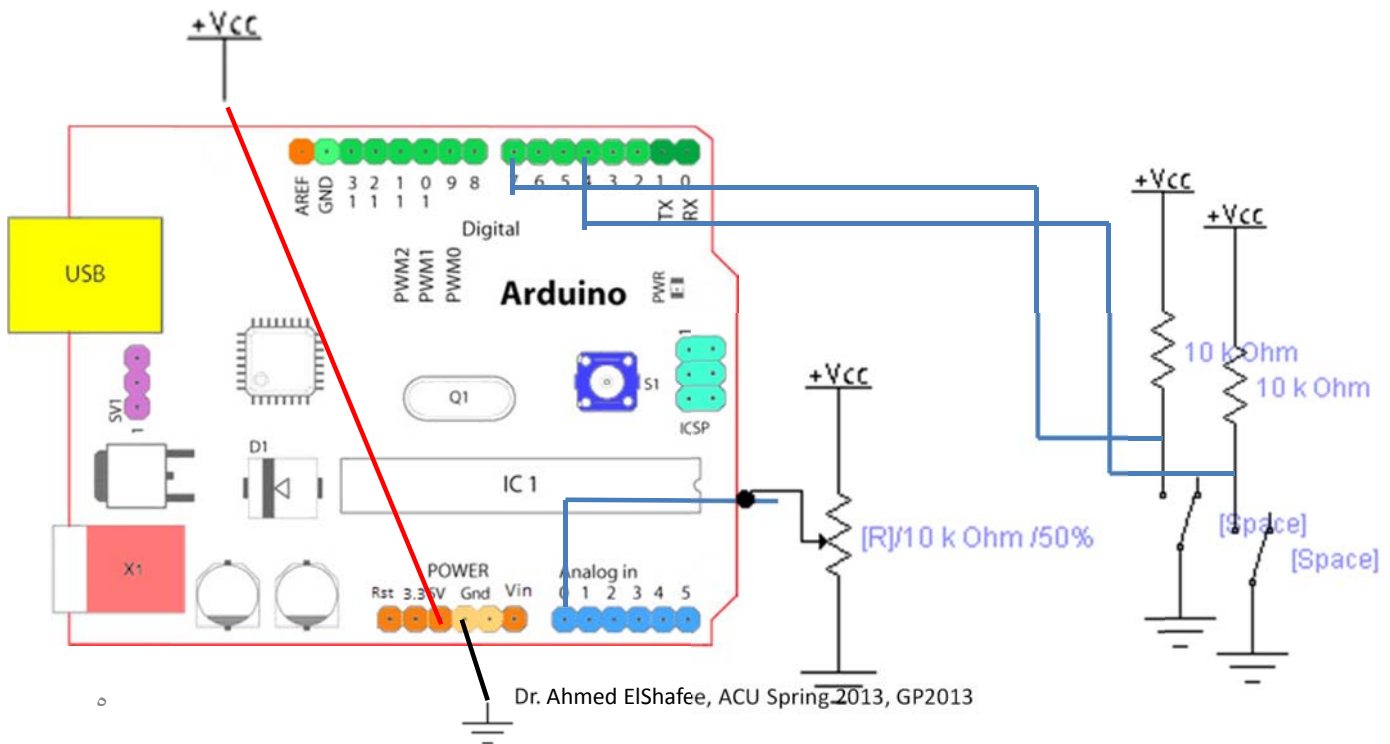
Serial Interface



SerialEcho

```
#include <SoftwareSerial.h>
SoftwareSerial mySerial(2, 3);
void setup()
{
  // set the data rate for the
  SoftwareSerial port
  mySerial.begin(9600);
  mySerial.println("welcome to Serial
  Echo,..");
}
```

```
void loop() // run over and over
{
  if (mySerial.available() > 0)
  {
    int inByte = mySerial.read();
    mySerial.print("you Pressed ");
    mySerial.write(inByte);
    mySerial.println();
  }
}
```



SerialEventLogger

```
#include <SoftwareSerial.h>
SoftwareSerial mySerial(2, 3);
#define up 7
#define down 4
#define Potentiometer A0
int up_status=1;
int down_status=1;
byte val=0;
void setup()
{
  // set the data rate for the
  SoftwareSerial port
  mySerial.begin(9600);
  mySerial.println("welcome to
  Serial Input Logger,..");
}
```

```
void loop() // run over and over
{
  if(digitalRead(up)!=up_status)
  {
    delay(100);
    if(digitalRead(up)!=up_status)
    {
      up_status=digitalRead(up);
      if(up_status==0)
        mySerial.println("UP is
        pressed.");
      else
        mySerial.println("UP is
        released.");
    }
  }
}
```

```

if(down_status!=digitalRead(down))
{
  delay(100);

if(down_status!=digitalRead(down))
{

down_status=digitalRead(down);
  if(down_status==0)
    mySerial.println("Down is
pressed.");
  else
    mySerial.println("Down is
released.");
  }
}

```

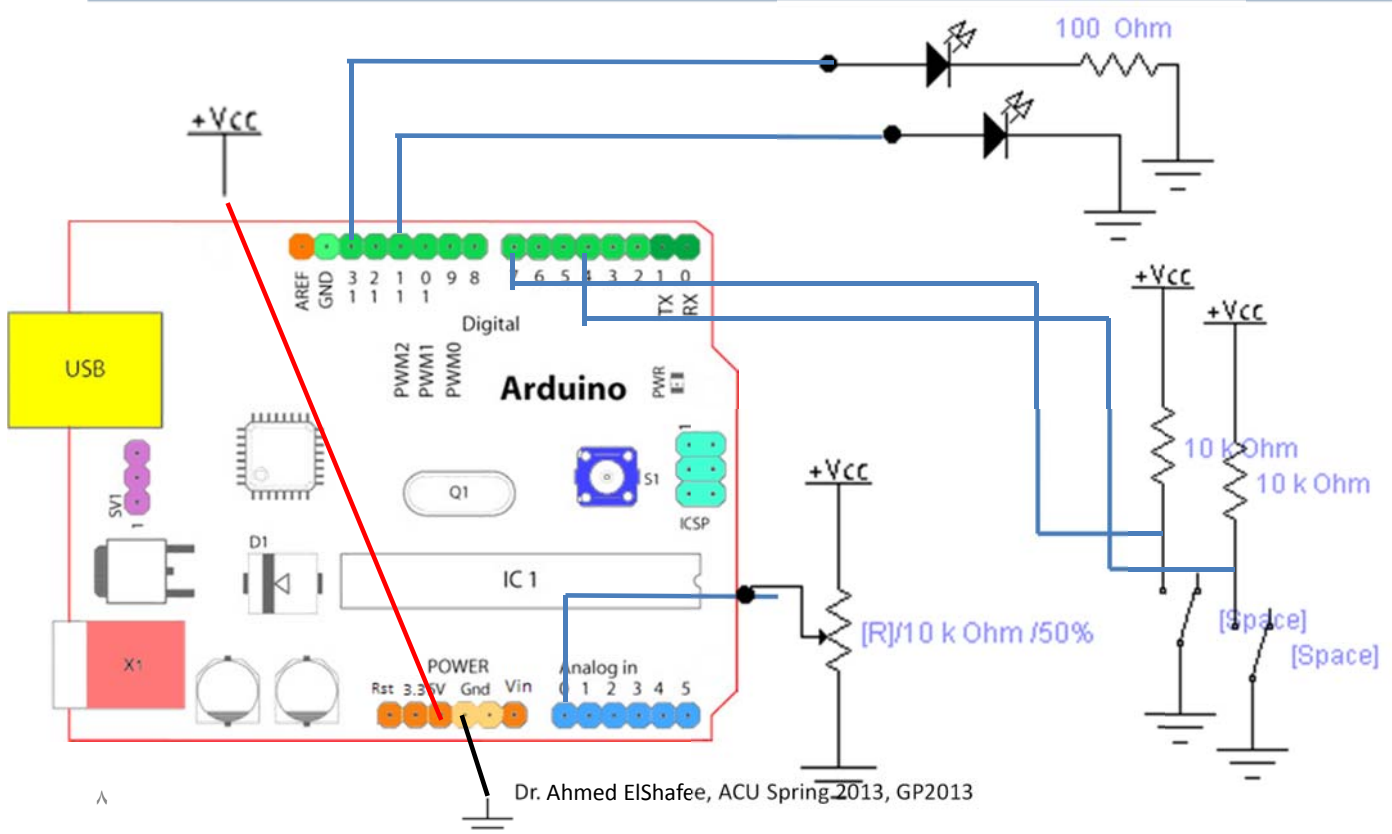
```

if((abs(byte(analogRead(Potentiometer)
)-val))>50)
{
  val=analogRead(Potentiometer);
  mySerial.print("Analog Input = ");
  mySerial.print(val);
  mySerial.println();
  delay(100);
}
}

```

v

Dr. Ahmed ElShafee, ACU Spring 2013, GP2013



A

SerialControlledOutputInputLogger

```
#include <SoftwareSerial.h>
SoftwareSerial mySerial(2, 3);
#define up 7
#define down 4
#define Potentiometer A0
#define LED 13
#define Lamp 11
int up_status=1;
int down_status=1;
byte val=0;
int LED_status=0;
int i=0;
void setup()
{
mySerial.begin(9600);
Serial.begin(9600);
mySerial.println("welcome to Serial
Input Logger,..");
}
```

Dr. Ahmed ElShafee, ACU Spring 2013, GP2013

```
void loop() // run over and over
{
if(digitalRead(up)!=up_status)
{
delay(100);
if(digitalRead(up)!=up_status)
{
up_status=digitalRead(up);
if(up_status==0)
mySerial.println("UP is
pressed.");
else
mySerial.println("UP is
released.");
}
}
if(down_status!=digitalRead(down))
{
delay(100);
```

```
f(down_status!=digitalRead(down))
{
down_status=digitalRead(down);
if(down_status==0)
mySerial.println("Down is pressed.");
else
mySerial.println("Down is released.");
}
}
if((abs(byte(analogRead(Potentiometer))-
val))>50)
{
val=analogRead(Potentiometer);
mySerial.print("Analog Input = ");
mySerial.print(val);
mySerial.println();
delay(100);
}
```

Dr. Ahmed ElShafee, ACU Spring 2013, GP2013

```
if (mySerial.available() > 0)
{
int inByte = mySerial.read();
switch(inByte)
{
case 'a':
if(LED_status==LOW)
LED_status=HIGH;
else
LED_status=LOW;
digitalWrite(LED,LED_status);
mySerial.print("Led now is = ");
mySerial.write(i);
mySerial.println();
break;
case 'b':
if(i<255)
i++;
analogWrite(Lamp,i);
```

```
mySerial.print("Lamp value now is = ");
  mySerial.write(i);
  mySerial.println();
break;
case 'c':
  if(i>0)
    i--;
  analogWrite(Lamp,i);
  mySerial.print("Lamp value now is = ");
  mySerial.write(i);
  mySerial.println();
break;
}
}
}
```

Thanks.